

INTEGRATED CONNECTOR MODULES

10/100Base-TX Extended Temp belMag™

BM00802

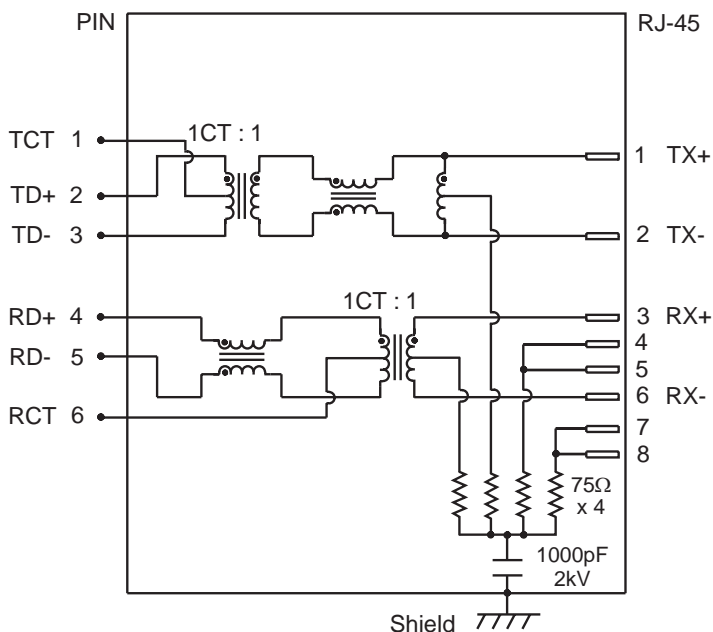
- Single port shielded RJ-45 surface mount connector with integrated 10/100 magnetics
- Compatible with a variety of 10/100 transceiver ICs
- Operating temperature -40° to +85° C
- Storage temperature -40° to +85° C
- Complies with IEEE standards and all 10/100 Ethernet specifications including 350µH with 8mA DC bias
- Integrated design conserves valuable board space
- Minimum interwinding breakdown voltage of 1500 Vrms
- Adaptable, modular design provides higher reliability
- Reduced pin count for improved crosstalk and optimum PCB trace routing

ELECTRICAL SPECIFICATIONS AT 25° C

Part Number	Insertion Loss dB max	Return Loss dB min				Common to Differential Mode Rejection dB min	Common to Common Mode Rejection dB min	Crosstalk dB min			
		1MHz to 100MHz	1MHz to 30MHz	30MHz to 60MHz	60MHz to 80MHz			100kHz to 100MHz	1MHz	30MHz	50MHz
S811-1X1T-03	-1.0	-18	18 - 20 log (f/30MHz)	-12	40	30	-70	-45	-40	-35	
S811-1X1T-A4	-1.0	-18	18 - 20 log (f/30MHz)	-12	40	30	-70	-45	-40	-35	

SCHEMATIC

S811-1X1T-03
S811-1X1T-A4



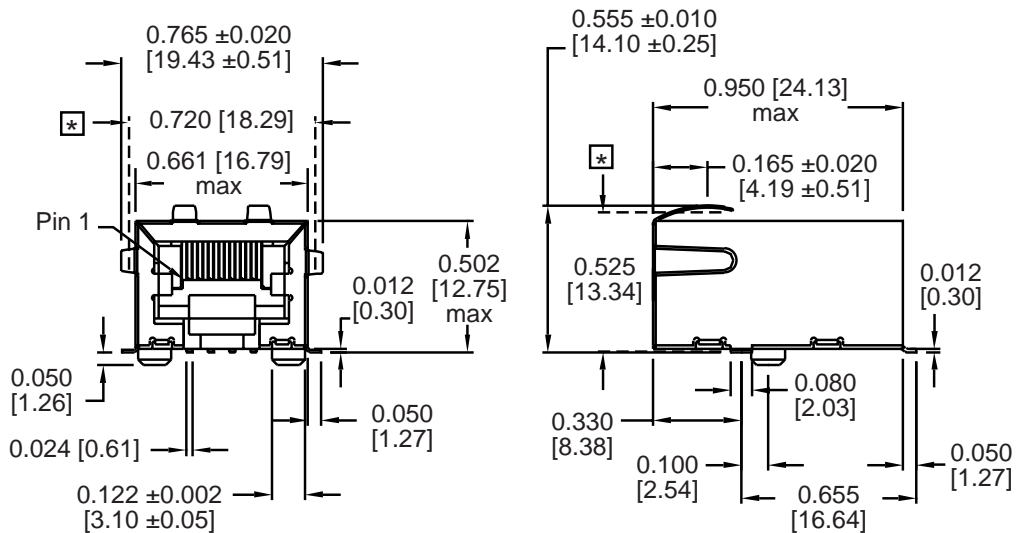
Available Options

- Various transformer turns ratios
- Various high voltage capacitor values

BM00802

MECHANICAL

S811-1X1T-03
S811-1X1T-A4



Dimensions are in inches [millimeters].

Standard dimension tolerance is ± 0.010 [0.25] unless otherwise noted.

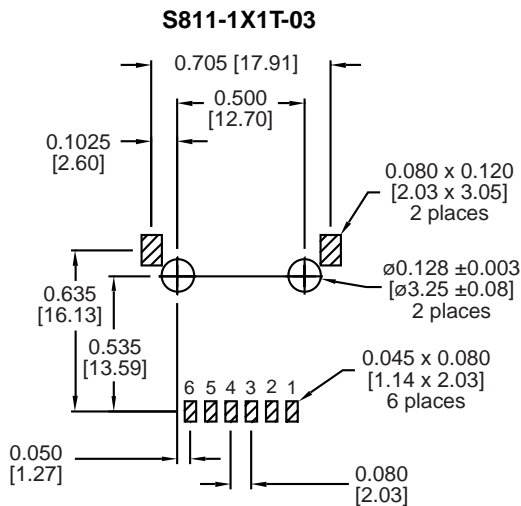
Notes

Plastic Housing Thermoplastic, flammability rating UL 94V-0
 Contacts 50 micro-inch hard gold plating
 Pins Tin-coated copper wire, DIA 0.018" [0.46]
 Solderability Per MIL Std. 202, Method 208
 Metal Shield Nickel plated copper alloy

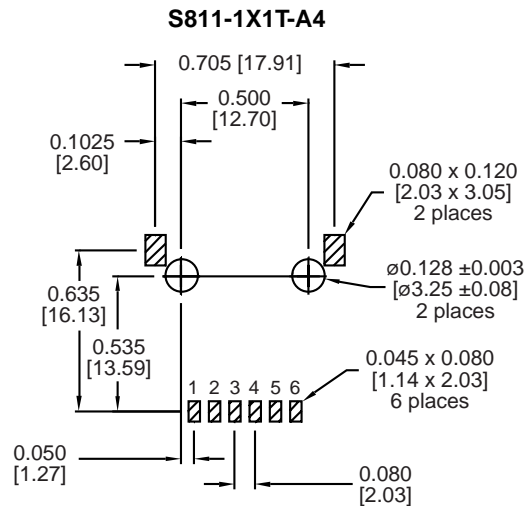
*Max Allowable Compression of Fingers

Top: Compress from 0.555 to 0.525
 Side: Compress from 0.765 to 0.720

PAD LAYOUT



Suggested PCB Pad Layout
Component Side View



Suggested PCB Pad Layout
Component Side View

©2001 Bel Fuse Inc. Specifications subject to change without notice. 04.01

CORPORATE

Bel Fuse Inc.
 206 Van Vorst Street
 Jersey City, NJ 07302
 Tel 201-432-0463
 Fax 201-432-9542
 www.belfuse.com

FAR EAST

Bel Fuse Ltd.
 8F / 8 Luk Hop Street
 San Po Kong
 Kowloon, Hong Kong
 Tel 852-2328-5515
 Fax 852-2352-3706
 www.belfuse.com

EUROPE

Bel Fuse Europe Ltd.
 Preston Technology Management Centre
 Marsh Lane, Suite G7, Preston
 Lancashire, PR1 8UD, U.K.
 Tel 44-1772-556601
 Fax 44-1772-888366
 www.belfuse.com